

EdgePro® D Series Commercial Dock Edging



Product Configuration

Item 5007 **EdgePro® Commercial Dock Edging – 10'**

Product Specifications

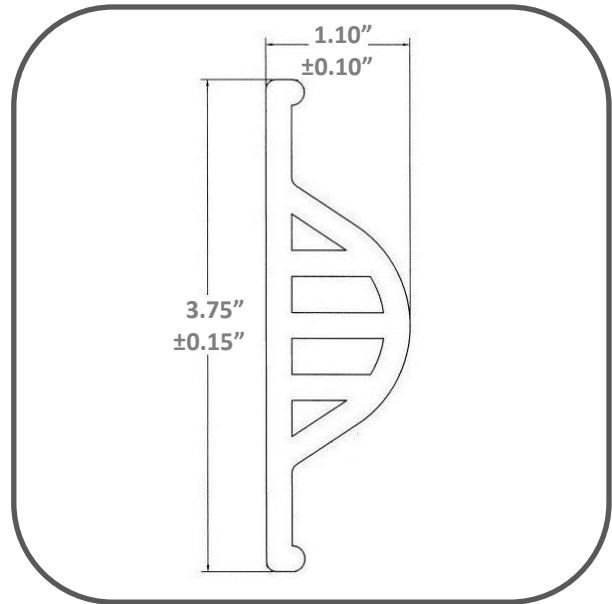
Material: Polyvinyl chloride extrusion compound

Color: **Black or White**

Weight: **10.30 lbs. per 10' length (nominal)**

Packaging Specifications

**Edging is shipped in straight lengths.
8 pieces per box, 20 boxes per crate.**



Physical Property Testing

EdgePro® Commercial Dock Edging products pass the following:

| | | |
|----------------------------------|--|--------------------------|
| Specific Gravity | ASTM D-792 | 1.4 Nominal Value |
| Durometer | ASTM D-2240 | 85 Nominal Value |
| Accelerated UV Weathering | ASTM D-4329 at 50° C | No Failure |
| Fungus Growth | ASTM G-21 | No Failure |
| Cold Flexibility | 1 Inch OD mandrel bend at 29° C | No Failure |
| Flammability | FMVSS302 | Passed |
| Tensile Strength | ASTM D624 Die C | 12.4 Minimum |
| Elongation % | ASTM D624 Die C | 200% Minimum |
| Tear Strength | ASTM D624 Die C | 44 Minimum |

EdgePro® D Series Commercial Dock Edging



Product Configuration

Item 5008 **EdgePro® Commercial Dock Edging – 10'**

Product Specifications

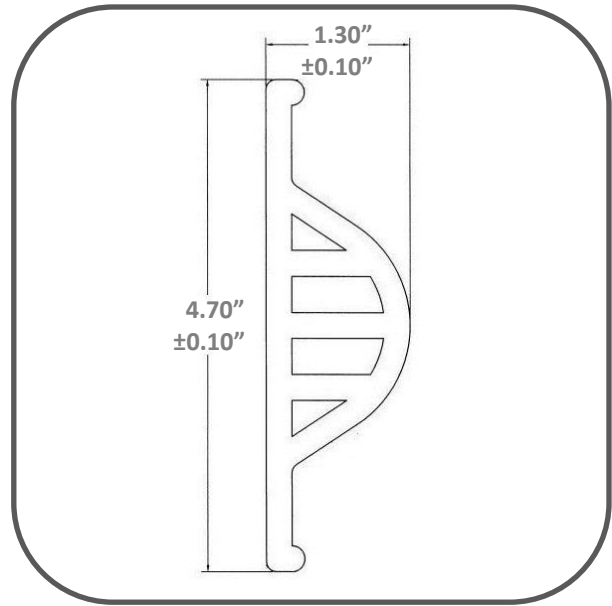
Material: Polyvinyl chloride extrusion compound

Color: **Black or White**

Weight: **17.50 lbs. per 10' length (nominal)**

Packaging Specifications

**Edging is shipped in straight lengths.
6 pieces per box, 20 boxes per crate.**



Physical Property Testing

EdgePro® Commercial Dock Edging products pass the following:

| | | |
|----------------------------------|--|--------------------------|
| Specific Gravity | ASTM D-792 | 1.4 Nominal Value |
| Durometer | ASTM D-2240 | 85 Nominal Value |
| Accelerated UV Weathering | ASTM D-4329 at 50° C | No Failure |
| Fungus Growth | ASTM G-21 | No Failure |
| Cold Flexibility | 1 Inch OD mandrel bend at 29° C | No Failure |
| Flammability | FMVSS302 | Passed |
| Tensile Strength | ASTM D624 Die C | 12.4 Minimum |
| Elongation % | ASTM D624 Die C | 200% Minimum |
| Tear Strength | ASTM D624 Die C | 44 Minimum |

Dimex LLC

28305 State Route 7
Marietta, OH 45750
www.edgepro.com

Phone: 740-374-3100
Toll Free: 800-334-3776
Fax: 740-374-5420