

EdgePro® P Series Commercial Dock Edging



Product Configuration

Item 5005 **EdgePro® Commercial Dock Edging – 10'**

Product Specifications

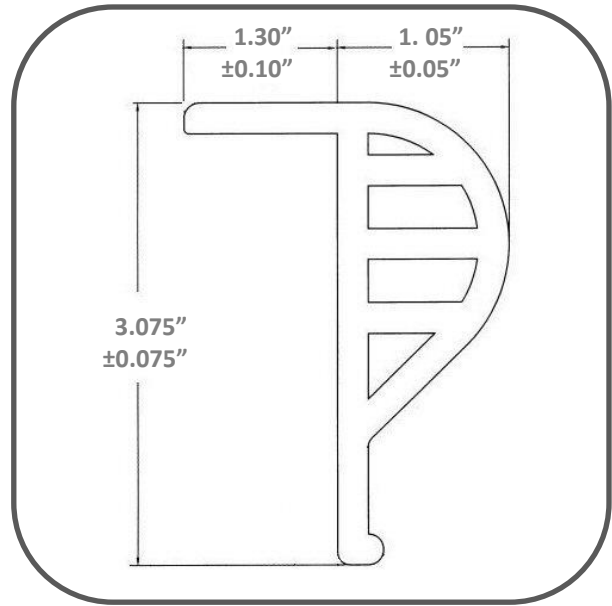
Material: Polyvinyl chloride extrusion compound

Color: **Black or White**

Weight: **10.90 lbs. per 10' length (nominal)**

Packaging Specifications

**Edging is shipped in straight lengths.
10 pieces per box, 20 boxes per crate.**



Physical Property Testing

EdgePro® Commercial Dock Edging products pass the following:

Specific Gravity	ASTM D-792	1.4 Nominal Value
Durometer	ASTM D-2240	85 Nominal Value
Accelerated UV Weathering	ASTM D-4329 at 50° C	No Failure
Fungus Growth	ASTM G-21	No Failure
Cold Flexibility	1 Inch OD mandrel bend at 29° C	No Failure
Flammability	FMVSS302	Passed
Tensile Strength	ASTM D624 Die C	12.4 Minimum
Elongation %	ASTM D624 Die C	200% Minimum
Tear Strength	ASTM D624 Die C	44 Minimum

EdgePro® P Series Commercial Dock Edging



Product Configuration

Item 5006 **EdgePro® Commercial Dock Edging – 10'**

Product Specifications

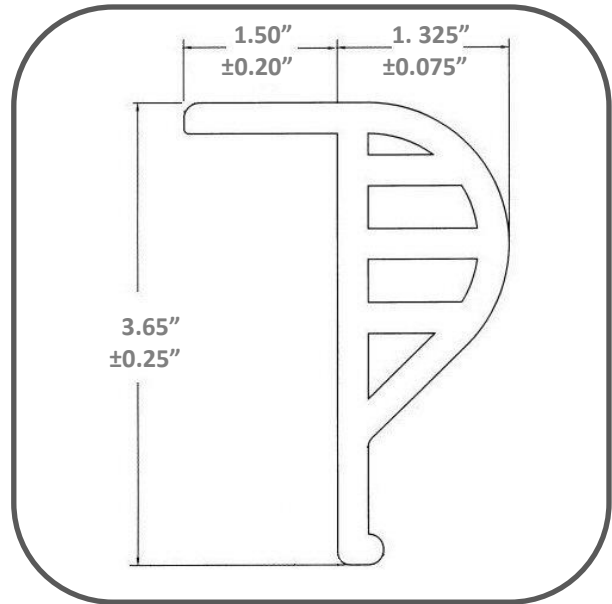
Material: Polyvinyl chloride extrusion compound

Color: **Black or White**

Weight: **16.00 lbs. per 10' length (nominal)**

Packaging Specifications

Edging is shipped in straight lengths.
6 pieces per box, 20 boxes per crate.



Physical Property Testing

EdgePro® Commercial Dock Edging products pass the following:

Specific Gravity	ASTM D-792	1.4 Nominal Value
Durometer	ASTM D-2240	85 Nominal Value
Accelerated UV Weathering	ASTM D-4329 at 50° C	No Failure
Fungus Growth	ASTM G-21	No Failure
Cold Flexibility	1 Inch OD mandrel bend at 29° C	No Failure
Flammability	FMVSS302	Passed
Tensile Strength	ASTM D624 Die C	12.4 Minimum
Elongation %	ASTM D624 Die C	200% Minimum
Tear Strength	ASTM D624 Die C	44 Minimum